



180 Lafayette Road  
 North Hampton, NH 03862-2448  
 PH: 603-964-3165  
 FX: 603-964-3168  
 WWW.PDEELECTRONICS.COM

## High Voltage Rectifier, Doubler and Center Taps

Standard Recovery  
 MR, and MRS Series

### FEATURES

- Low Reverse Leakage Currents
- Corona Free design
- Low Forward Voltage Drop
- Easy Aluminum Base Mount

### QUICK REFERENCE DATA

- $V_R = 2.5KV$  & 30KV
- $I_{FSM} = 50A$  to 150A
- $I_F = 600mA$  to 2.5A
- $I_R = 0.5\mu A$

### ABSOLUTE MAXIMUM RATINGS

Device	Working Reverse Voltage $V_{RWM}$	Average Rectified Current $I_{FAVM}$	Maximum Forward Voltage Per Leg $V_F @ I_F$	Maximum Leakage Current Per Leg $I_R @ V_{RWM}$	1 Cycle Surge Current $T_p=8.3mS$	Maximum Reverse Recovery $T_{RR}$	Case Length
	Volts	Amps	Volts	$\mu A$	Amps	nS	Dim C Inches
MR2500	2500	0.6	2.4	0.5	50	-	3.36
MR5000	5000	0.6	4.5	0.5	50	-	3.36
MR7500	7500	0.6	7.2	0.5	50	-	3.36
MR10000	10000	0.6	9.0	0.5	50	-	3.36
MR12500	12500	0.6	11.0	0.5	50	-	4.04
MR15000	15000	0.6	14.0	0.5	50	-	4.04
MR20000	20000	0.6	18.0	0.5	50	-	4.72
MR25000	25000	0.6	22.0	0.5	50	-	6.09
MR30000	30000	0.6	28.0	0.5	50	-	6.09
MRS2500	2500	1.25	2.4	0.5	150	-	3.36
MRS5000	5000	1.25	4.5	0.5	150	-	4.04
MRS7500	7500	1.25	7.2	0.5	150	-	4.04
MRS10000	10000	1.25	9.0	0.5	150	-	4.04
MRS12500	12500	1.25	11.0	0.5	150	-	4.72
MRS15000	15000	1.25	14.0	0.5	150	-	6.09
MRS20000	20000	1.25	18.0	0.5	150	-	6.09
MRS25000	25000	1.25	22.0	0.5	150	-	6.09
MRS30000	30000	1.25	28.0	0.5	150	-	6.09
MR*2500	2500	1.2	2.4	0.5	50	-	3.36
MR*5000	5000	1.2	4.5	0.5	50	-	4.04
MR*7500	7500	1.2	7.2	0.5	50	-	4.72
MR*10000	10000	1.2	9.0	0.5	50	-	4.72
MR*12500	12500	1.2	11.0	0.5	50	-	6.09
MR*15000	15000	1.2	14.0	0.5	50	-	6.09
MRS*2500	2500	2.5	2.4	0.5	150	-	3.36
MRS*5000	5000	2.5	4.5	0.5	150	-	4.72
MRS*7500	7500	2.5	7.2	0.5	150	-	6.09
MRS*10000	10000	2.5	9.0	0.5	150	-	6.09
MRS*12500	12500	2.5	11.0	0.5	150	-	6.09
MRS*15000	15000	2.5	14.0	0.5	150	-	6.09

Specifications subject to change without notice to ensure a better product

**PD&E Electronics** 180 Lafayette Rd. North Hampton, NH 03862  
 Ph: (603) 964-3165 Fx: (603) 964-3168 Web: WWW.PDEELECTRONICS.COM

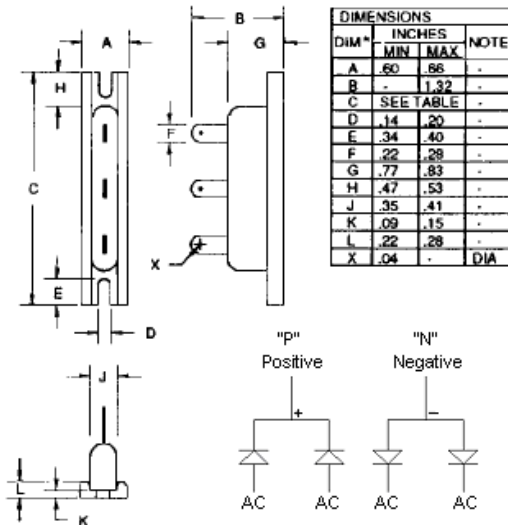


180 Lafayette Road  
 North Hampton, NH 03862-2448  
 PH: 603-964-3165  
 FX: 603-964-3168  
 WWW.PDEELECTRONICS.COM

## High Voltage Rectifier, Doubler and Center Taps

Standard Recovery  
 MR, and MRS Series

### MECHANICAL CHARACTERISTICS



Marking: Manufacturer  
 Part Number  
 Date Code

Case: Aluminum, Black Anodized

Polarity: Positive: Red  
 Negative: Black  
 AC: Yellow

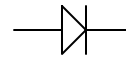
\* For Center Taps and Doublers:

Different circuit arrangements are identified by using a Circuit Code letter (i.e): P – N – D

Positive Center Tap: MRP5000  
 Negative Center Tap: MRSN15000  
 Doubler: MRSD7500

For Halfwave Rectifiers:

For Halfwave Assemblies the center terminal is omitted.



### THERMAL CHARACTERISTICS

Operating and Storage Temperature.....-55°C to +150°C